



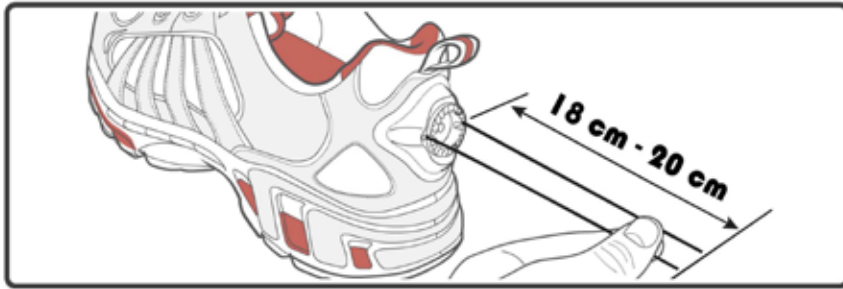
KNOB
DISASSEMBLING
(1 of 1)

<p>1</p> <p>Insert Tool in Set Screw</p> <p>Do not damage knob with tool</p>	<p>2</p> <p>Turn Left</p>
<p>3</p> <p>Take out Knob</p>	



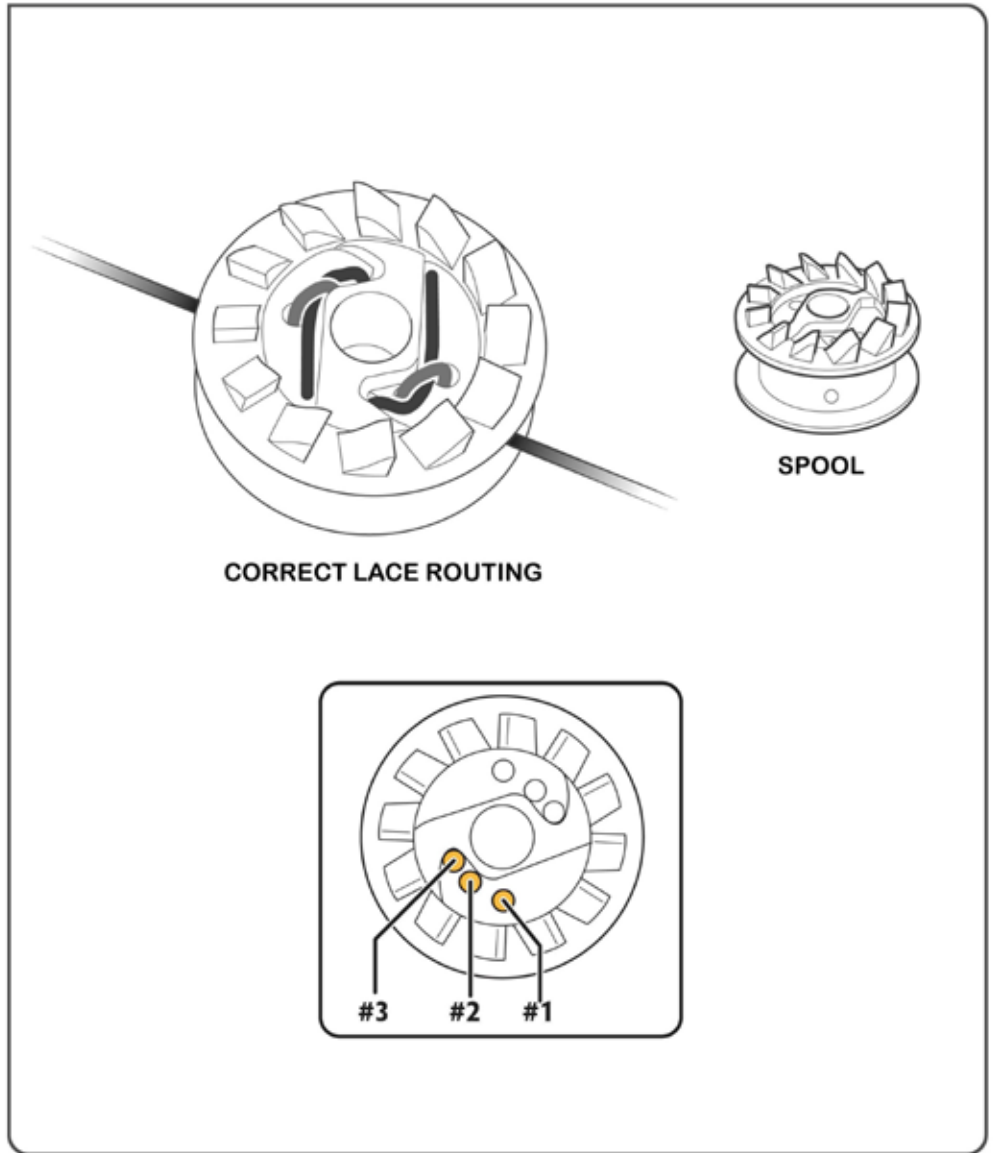
LACE LENGTH DETERMINATION

(1 of 1)



SPOOL LACE ATTACHMENT

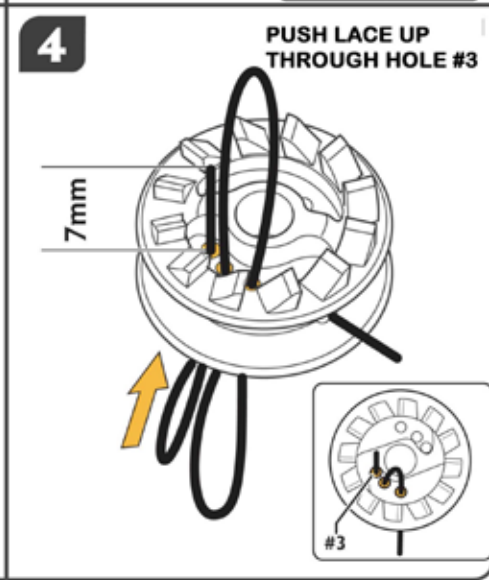
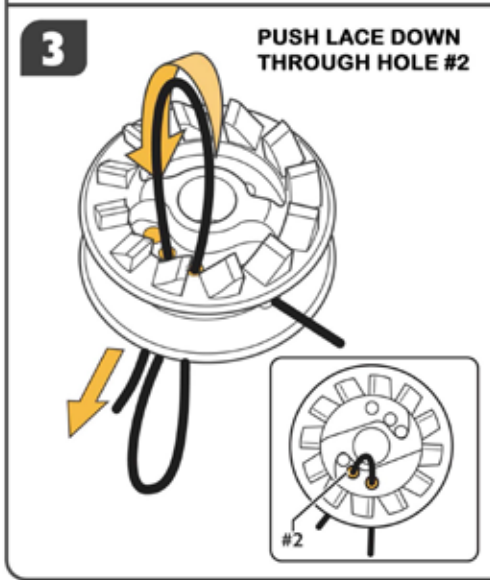
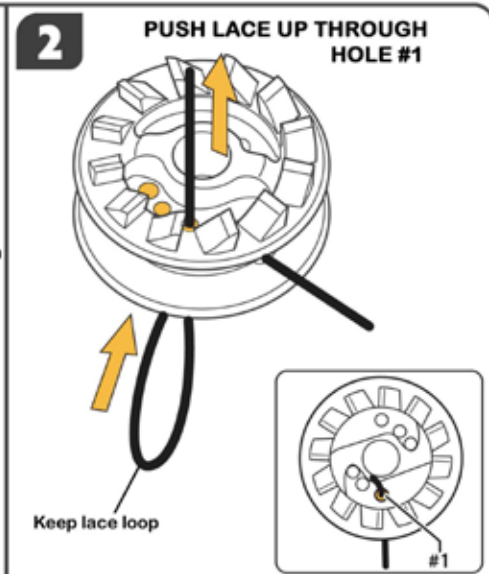
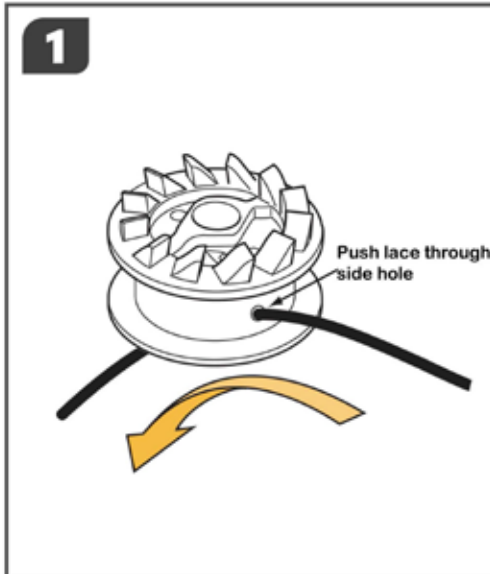
(1 of 4)





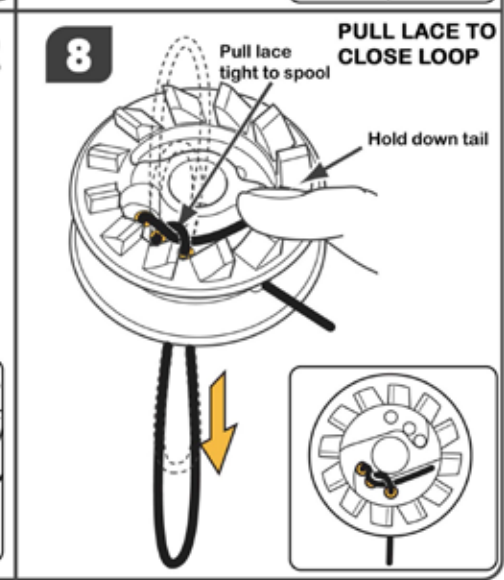
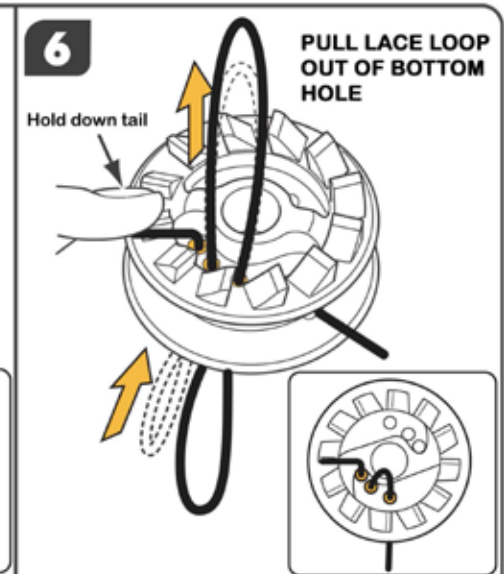
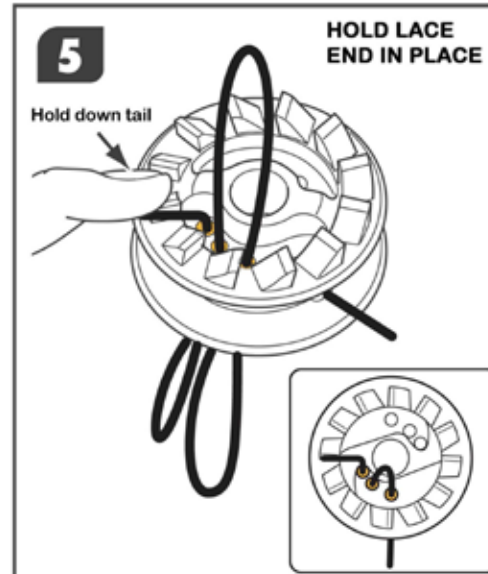
SPOOL LACE ATTACHMENT

(2 of 4)



SPOOL LACE ATTACHMENT

(3 of 4)





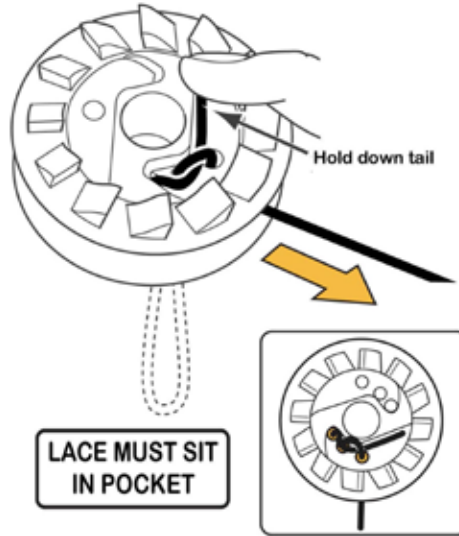
SPOOL LACE ATTACHMENT

(4 of 4)

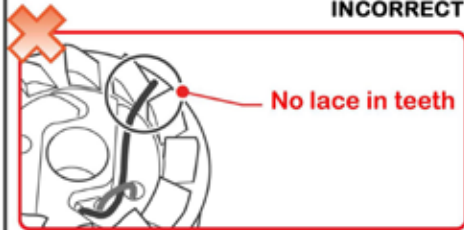


9

PULL LACE TO
CLOSE LOOP



INCORRECT

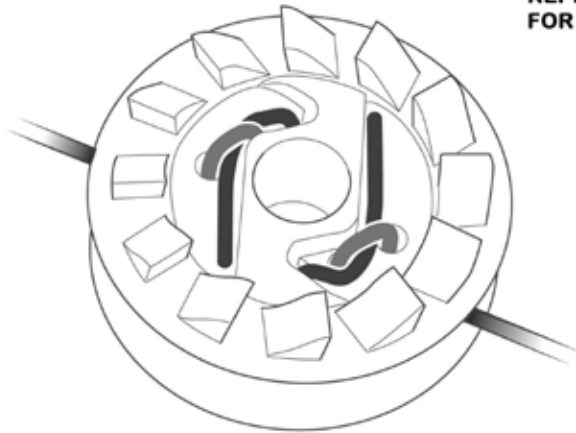


REDO STEPS 4 TO 9



REDO STEPS 7 TO 9

REPEAT STEPS 1- 9
FOR THE OTHER SIDE



KNOB ASSEMBLING

(1 of 1)



Place Knob on Reel



Insert Tool in Set Screw



Turn right and Tighten Until
Force Opposition



Don't Tighten Too Much
IMPORTANT

